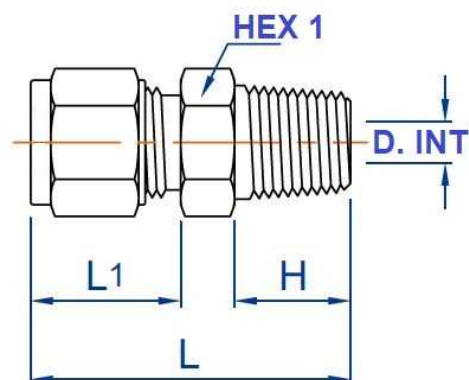


Racor Doble Anillo Trale LOK

Uniones rectas tubo-rosca macho

Racor recto rosca cónica NPT

Acero Inoxidable AISI 316-L-1.4404



Artículo	ØD1	R1	Ø int	L	L1	HEX 1	F
ZKIMP0201	1/8"	1/16"	1.32	26.16	10,92	7/16"	9,65
ZKIMP0202	1/8"	1/8"	2.28	30,48	15,24	7/16"	9,65
ZKIMP0204	1/8"	1/4"	2.28	35,56	15,24	9/16"	14,22
ZKIMP0206	1/8"	3/8"	2.28	36,06	15,24	11/16"	14,22
ZKIMP0208	1/8"	1/2"	2.28	42,42	15,24	7/8"	19,05
ZKIMP0402	1/4"	1/8"	5.08	32,77	17,78	1/2"	9,65
ZKIMP0404	1/4"	1/4"	5.08	37,85	17,78	9/16"	14,22
ZKIMP0406	1/4"	3/8"	5.08	38,35	17,78	11/16"	14,22
ZKIMP0408	1/4"	1/2"	5.08	44,70	17,78	7/8"	19,05
ZKIMP0602	3/8"	1/8"	5.08	35,05	19,3	5/8"	9,65
ZKIMP0604	3/8"	1/4"	7.11	39,87	19,3	5/8"	14,22
ZKIMP0606	3/8"	3/8"	7.11	39,87	19,3	11/16"	14,22
ZKIMP0608	3/8"	1/2"	7.11	46,22	19,3	7/8"	19,05
ZKIMP0802	1/2"	1/8"	5.08	38,86	22,1	13/16"	9,65
ZKIMP0804	1/2"	1/4"	7.11	43,43	22,09	13/16"	14,22
ZKIMP0806	1/2"	3/8"	9.65	43,43	22,1	13/16"	14,22
ZKIMP0808	1/2"	1/2"	10.41	49,02	22,09	7/8"	19,05
ZKIMP06M02	6	1/8"	5	32,9	17,7	14	9,5
ZKIMP06M04	6	1/4"	5	38,1	17,7	14	14,3
ZKIMP06M06	6	3/8"	5	38,5	17,7	18	14,3
ZKIMP06M08	6	1/2"	5	44,8	17,7	22	19,10
ZKIMP08M02	8	1/8"	5	34,20	18,6	15	9,5
ZKIMP08M04	8	1/4"	6.5	38,78	18,6	15	14,3
ZKIMP08M06	8	3/8"	6.5	39,30	18,6	18	14,3
ZKIMP08M08	8	1/2"	6.5	45,6	18,6	22	19,10
ZKIMP10M02	10	1/8"	5	36,1	19,5	18	9,5
ZKIMP10M04	10	1/4"	7.1	40,9	19,5	18	14,3

Racor Doble Anillo Trale LOK

Uniones rectas tubo-rosca macho

Racor recto rosca cónica NPT

Acero Inoxidable AISI 316-L-1.4404

Artículo	ØD1	R1	Ø int	L	L1	HEX 1	F
ZKIMP10M06	10	3/8"	7.9	40,9	19,5	18	14,3
ZKIMP10M08	10	1/2"	7.9	47,5	19,5	22	19,10
ZKIMP12M04	12	1/4"	7.1	43,4	22	22	14,3
ZKIMP12M06	12	3/8"	9.5	43,4	22	22	14,3
ZKIMP12M08	12	1/2"	9.5	49	22	22	19,10
ZKIMP14M06	14	3/8"	9.5	44.2	22	14.3	24
ZKIMP14M08	14	1/2"	11.1	49	22	19.1	24
ZKIMP15M08	15	1/2"	11.9	49	22	19.1	24
ZKIMP16M04	16	1/4"	7.1	44.01	21,8	14.3	24
ZKIMP16M06	16	3/8"	9.5	44.1	22	14.3	24
ZKIMP16M08	16	1/2"	11.9	49	22	19.1	24
ZKIMP16M12	16	3/4"	12.7	50.5	22	19.1	27
ZKIMP18M08	18	1/2"	11.9	50.6	22	19.1	27
ZKIMP18M12	18	3/4"	15	50.6	22	19.1	27
ZKIMP22M12	22	3/4"	16	52.3	22	19.1	30
ZKIMP22M16	22	1"	18	57.71	21,81	23.9	35